

MULTIFUNCTIONAL ELECTRONIC BALANCES

DATA
OUTPUT

CAN BE
CUSTOMIZED

AUTOMATICALLY LOCK THE CURRENT APP MODE
WHEN THE DEVICE IS SWITCHED ON OR OFF

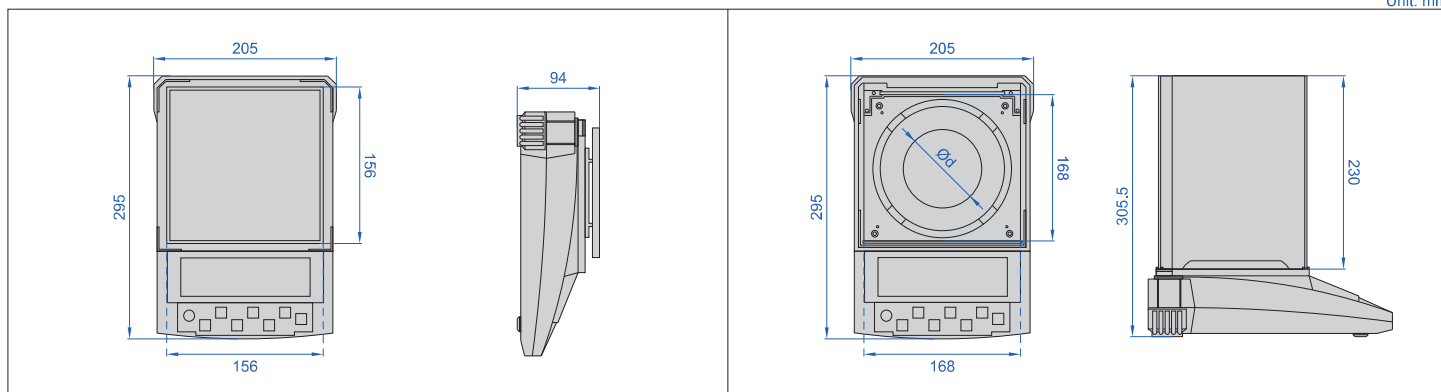
- Zero-setting, weighing, subtracting tare value, counting
- Accumulation, animal scale, percentage display
- Peak (max.) and tracking mode
- Upper and lower limit alarms: quantity, weight
- LCD display
- Data output
- Unit: g, ct, oz, ozt, dwt, GN, lb, N, dr, t(ola), ms, bat, mo, kg
- With a hook at the bottom



8318-1200



8318-1200F



SPECIFICATION

Output	RS232
Operation temperature	0~40°C
Operation humidity	≤80%RH
Power supply	220V, 50/60Hz

Code	Weighing capacity	Minimal load	Readability (d)	Repeatability	Linearity	Stabilization time
8318-220F	220g	0.2g	0.01g	±0.01g	±0.02g	1.5s
8318-620F	620g	0.5g	0.01g	±0.01g	±0.02g	1.5s
8318-1200F	1200g	0.5g	0.01g	±0.01g	±0.02g	1.5s
8318-2200F	2200g	0.5g	0.01g	±0.02g	±0.02g	2s
8318-3200F	3200g	0.5g	0.01g	±0.02g	±0.03g	2s
8318-5000F	5000g	0.5g	0.01g	±0.03g	±0.04g	2s
8318-1200	1200g	0.5g	0.01g	±0.01g	±0.02g	1.5s
8318-2200	2200g	0.5g	0.01g	±0.02g	±0.02g	2s
8318-3200	3200g	0.5g	0.01g	±0.02g	±0.03g	2s
8318-5000	5000g	0.5g	0.01g	±0.03g	±0.04g	2s

Code	Windshield	Dimension of pan	Hydrostatic stand	Density accessories	Class M1 calibration weight (included)	Dimension (L×W×H)
8318-220F	included	Ø133mm	—	optional	200g 1 pc	295×205×305mm
8318-620F	included	Ø133mm	—	optional	500g 1 pc	295×205×305mm
8318-1200F	included	156×156mm	optional	—	500g 1 pc	295×205×305mm
8318-2200F	included	156×156mm	optional	—	1000g 1 pc	295×205×305mm
8318-3200F	included	156×156mm	optional	—	1000g 2 pcs	295×205×305mm
8318-5000F	included	156×156mm	optional	—	1000g 2 pcs	295×205×305mm
8318-1200	—	168×168mm	optional	—	500g 1 pc	295×205×94mm
8318-2200	—	168×168mm	optional	—	1000g 1 pc	295×205×94mm
8318-3200	—	168×168mm	optional	—	1000g 2 pcs	295×205×94mm
8318-5000	—	168×168mm	optional	—	1000g 2 pcs	295×205×94mm

Measurement functions:



Percentage

Operator place the reference sample that corresponds to 100% onto weighing pan, the other samples will display the weighing result as %. Operator can input the sample value or weighing the sample value and input it.



Counting

Use this function can calculate the quantity with total weight divide by signal weight.



Check weighing

Weighing the target sample's weight or quantity in or out the setting limit and alarm.



Accumulation

Weighing and accumulating the several sample's total weight and tracing the detail data.



Taring

To weigh and display the sample's gross weight, net weight and tare weight intuitively.



Animal weighing

Operator can use this program to measure dynamic weight. The dynamic weighing way is summarize the weighing result from setting time and average it.



Density

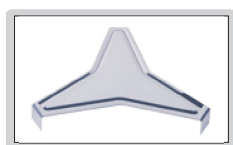
Use this function can calculate the solid or liquid material's density (**powder density cannot be tested, no density components are supplied as standard**)



Peak holding

Sensing and saving the max weight during weighing, hold and display it.

density accessories (optional, applicable for measuring solid density with $\rho > 1\text{g/cm}^3$)



holder



sunken basket



hydrostatic stand (optional)



class M1 calibration weight (included)



cylinder



fixe bracket



nipper



printer (optional)

STANDARD DELIVERY

Main unit	1 pc
Calibration weight	1 pc
RS232 cable	1 pc

OPTIONAL ACCESSORY

RS232 cable	8318-CABLE*
Printer	8318-PRINTER
Hydrostatic stand	8318-HWS
Density accessories	8318-DH

* Used to connect with computers